

Tech Sheet International – Branston MocToe ESD

Alloy Toe Steel Plate



Features:

- Premium oiled nubuck leather for comfort and abrasion resistance
- Alloy safety toe for lightweight protection
- Non-metallic fiberglass shank for structural support
- Padded top collar for comfort
- Cement construction for flexibility and reduced break-in time
- Antimicrobial treatment for odor control and comfort
- Metallic puncture-resistant plate for flexible underfoot protection



A11XC Alloy Toe
Black Oiled Nubuck Leather
5-12,13,14,15W

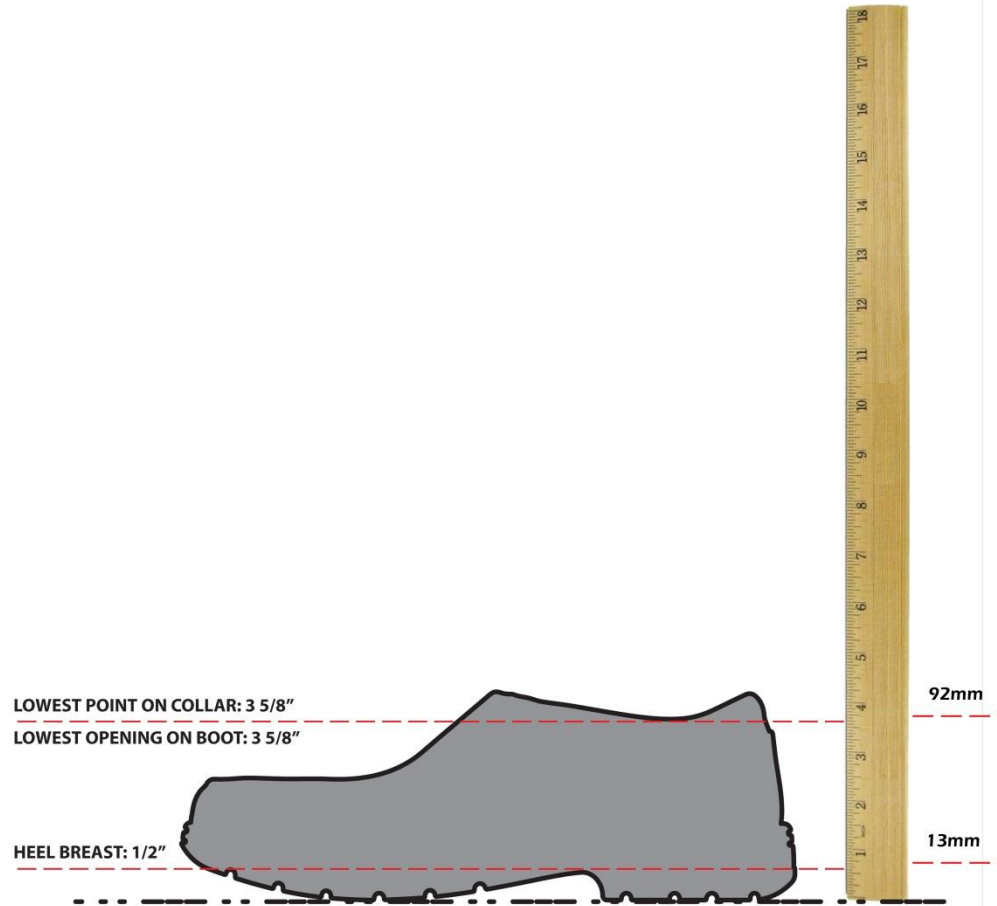
Dual-Density Polyurethane Outsole:

- Slip Resistant
- Oil Resistant
- Non-marking
- Abrasion

Dynamic Anti-Fatigue Technology Polyurethane Footbed:

- Dynamic Anti-Fatigue Technology Durable-resists compression set over time
- Resilient-recovers for next foot strike
- Monosided inverted Anti-Fatigue cones
- Contoured bio-mechanically engineered top surface helps maintain proper gait
- Dynamic arch adapts to different foot shapes for maximum comfort
- Moisture wicking breathable open cell PU

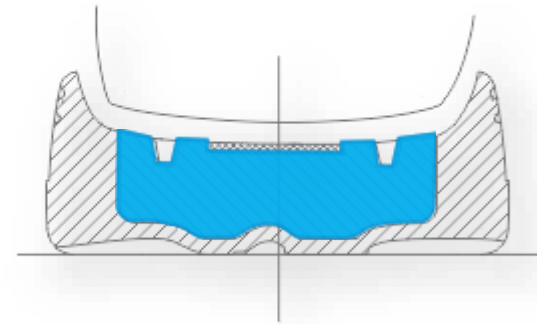
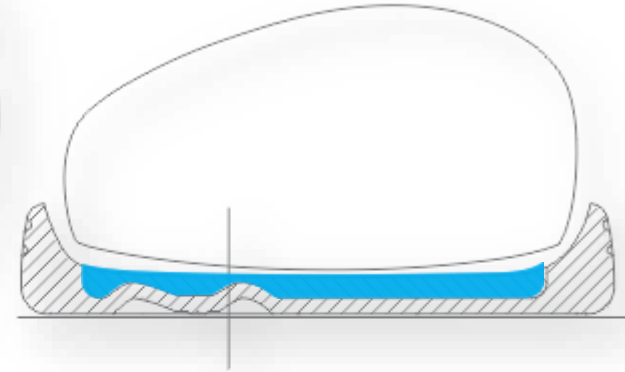
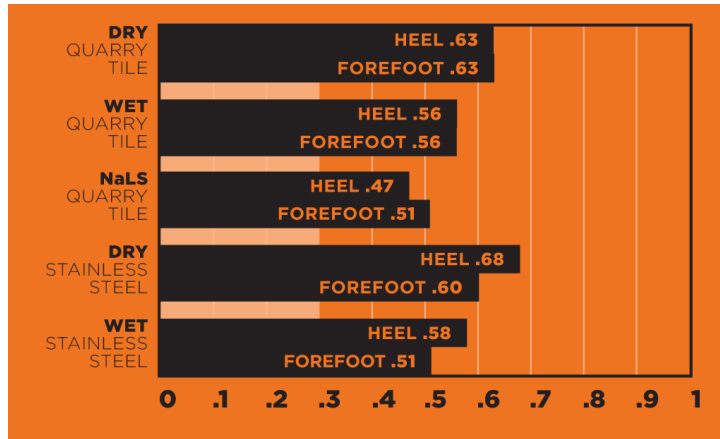
BRANSTON SLIP ON
*** All measurements are external***



Tech Sheet International – Branston Moc Toe ESD A11XC

Alloy Toe Steel Plate

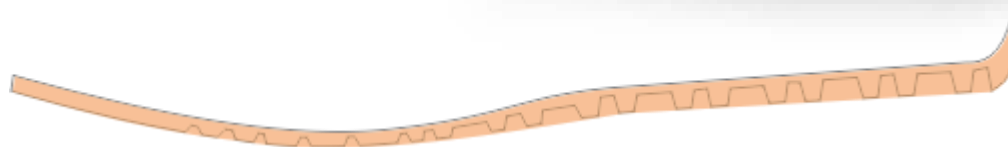
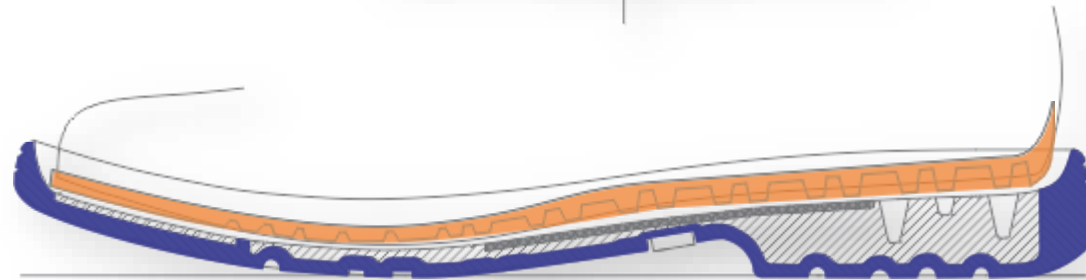
Slip Scores



Outsole Compound and Midsole:

- Dual Density Polyurethane Outsole
- ESD

Footbed:



Tech Sheet International – Branston Moc Toe ESD A11XC

Alloy Toe Steel Plate

Alloy Toe

